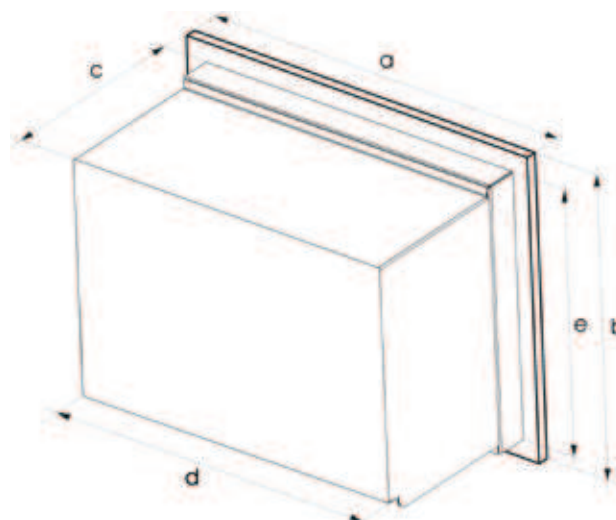


## Technical Data

DL 70	
Product Type	Compact Panel PC
General characteristics	
Processor	- Intel® Celeron >2,6GHz
	- Intel® Pentium 4 ≥ 3,0GHz
	- Intel® Core 2 Duo
Chipset	VIA P4M900 + VT8237A
Memory	256MB to 2GB DDR2 RAM
Expansion slots	1 x PCIe x16, 1 x PCIe x1, 2 x PCI
Operating systems	Microsoft Windows 2000/XP/7
Power Supply	90 - 264 VAC, overload protection, short circuit protection, over voltage protection
	24VDC optional
Nominal Power	300 W active PFC power supply, efficiency ≥ 75 %
Guarantee	24 Months <sup>1</sup>
Drives	
Mass Memory	2,5" HDD at 60 GB (optional RAID system)
Optical Drives	CD-Rom or optional DVD/CD-RW drive, rear side operation
Additional Drives	Floppy, rear side operation
Interfaces	
LAN/Ethernet	onboard Realtek RTL8201CL
USB	5 x USB 2.0 (2 x external, 3 x internal)
Serial Interface	2 x RS232 (1x int, 1x ext)
Parallel Interface	1 x LPT1 (EPP/ECP)
Keyboard/Mouse	2 x PS/2
Multimedia	7.1 channel Audio ALC883
Watchdog functions	
CPU Temperature	Surveillance onboard
Fan rotation	Surveillance onboard
Ambient Conditions	
Vibration resistance	0,67G (5-500MHz)
Shock resistance	300G/2ms
EMC	EN 55011, 55022, 500081
Temperature	+5°C to +45°C max.
Relative humidity	5% to 80% at 25°C (no humidity/condense)
Authorization	CE
Mechanical Characteristics	
PC Unit	Powder coated, EMC proofed



Front Unit					
Display diagonal size	12"	15"	17"	19"	21"
	30,5 cm	38,1 cm	43,2 cm	48,3 cm	54,1 cm
Resolution	800x600	1024x768	1280x1024		1600x1200
Luminosity [cd/m <sup>2</sup> ]	400	430	300		250
Contrast Ratio	500:1	450:1	700:1	800:1	500:1
	MTBF backlight [h]				
Input	50.000				
Touchcontroller	Resistive Touchscreen, 6-wire technology				
Front	Alternatively USB or RS232				
Rating	Alloy anodised, chemical resistant polyester foil				
Rating	IP65 according EN 60529				
Dimensions [mm]					
a:	400	460	472	540	
b:	310	360	383	440	
c:	200	205		220	
d:	370	429	440	509	
e:	290	337	363	406	
Weight	ca. 10 kg		ca. 12 kg	ca. 13 kg	ca. 15 kg



<sup>1</sup> warranty ex works, normally 24 months, fixed at order.  
All data refer on print date, errors and changes excepted

## Highlights

- 4 Slots
- SATA RAID 0, 1, JBOD possible
- High Performance
- FSB up to 1066 MHz
- High configuration flexibility
- Intel® Core™2 Duo, Pentium® D, Pentium® 4, Celeron® D processors



## DL 70 Configuration

	1	2	3	4	5	6	7	8
<b>Monitor</b>								
12" TFT Display, 800x600 Pixel	1							
15" TFT Display, 1024x768 Pixel <sup>1</sup>	2							
17" TFT Display, 1280x1024 Pixel	3							
19" TFT Display, 1280x1024 Pixel <sup>1</sup>	4							
21" TFT Display, 1600x1200 Pixel	5							
<b>Processor</b>								
Celeron 1000MHz PIII Board, 3 PCI	1							
Celeron 2,6 GHz, LGA775, 2 PCI Slots, 2 PCIe Slots	3							
Pentium4, 3.0 GHz LGA775, 2 PCI Slots, 2 PCIe Slots	4							
Intel® Core 2 Duo, 2 PCI Slots, 2 PCIe Slots	5							
<b>Memory</b>								
128 MB			1					
256 MB			2					
512 MB			3					
1 GB			4					
2 GB			5					
<b>Drives</b>								
CD ROM, slim Drive			1					
COMBO DVD/CD ROM R/W, slim Drive			2					
<b>Storage</b>								
2.5" no FD Drive, standard configuration				2				
2.5" with FD Drive, option				3				
<b>Power</b>								
110/230 VAC, auto-switch					1			
24VDC, option					2			
<b>Front</b>								
DIVUS foil							0	
neutral, 1 colors							1	
customized <sup>2</sup>							2	
<b>Operating system</b>								
Microsoft Windows 2000 Prof. MUI								A
Microsoft Windows XP Prof. MUI								L
Microsoft Windows 7 Prof.								M
No operating System								0

Your order code: **DL 70**



**NOTES:**

- <sup>1</sup> 15" and 19" display size is also available with V2A stainless steel front for cleanroom
- <sup>2</sup> Frontfoil: min. delivery 25 pcs